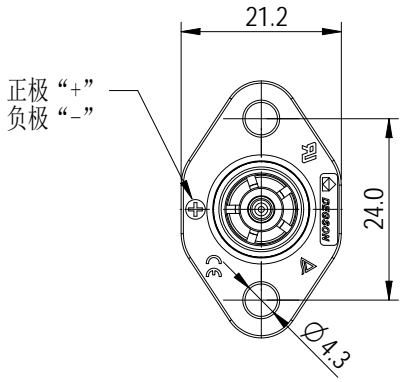
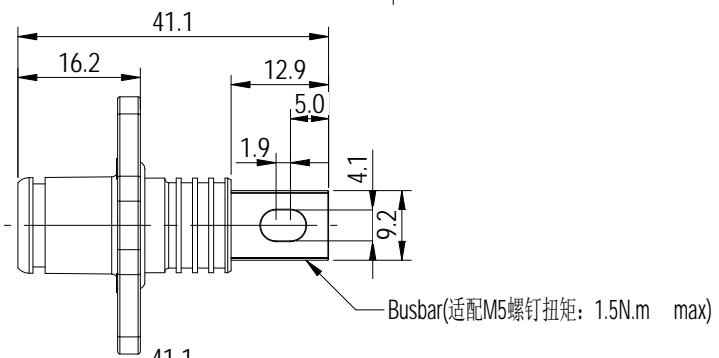


| 尺寸公差(mm) | | | | | 0.05/10 ±1' |
|----------|-------|-------|-------|-------|----------------|
| 0 | >30 | >60 | >100 | >150 | |
| ~30 | ~60 | ~100 | ~150 | >150 | |
| ±0.20 | ±0.30 | ±0.50 | ±0.70 | ±1.00 | |

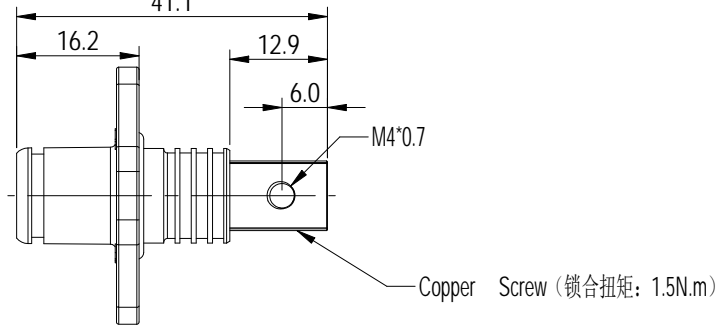


正极 "+"
负极 "-"

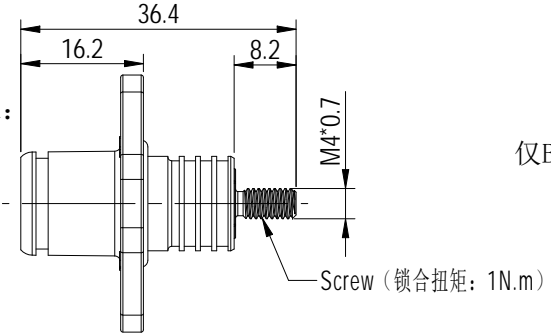
其他接线方式:



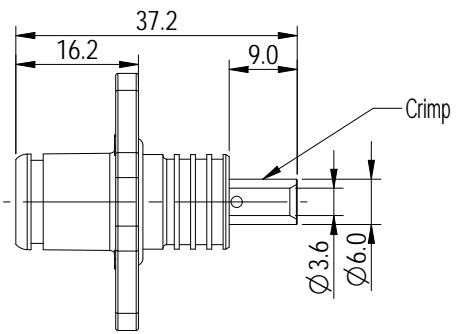
Busbar(适配M5螺钉扭矩: 1.5N.m max)



Copper Screw (锁合扭矩: 1.5N.m)



Screw (锁合扭矩: 1N.m)



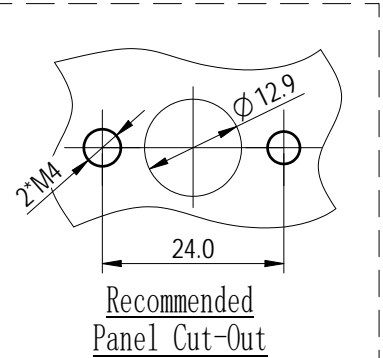
Crimp

| 技术要求/Technical requirements: | |
|---|--------------------------------------|
| 颜色/Color | Black, Orange, Red |
| 锁紧方式/Locking method | 卡扣(Buckle) |
| 接线方式/Terminal | Busbar, Screw, Crimp, Copper Screw |
| 外壳材料/Housing material | PA+GF |
| 接触件材料/Connector material | 铜合金(Copper alloy) |
| 插入力/Insertion force | 65N Max |
| 拔出力/Withdrawal force | >10N |
| 插拔次数/Mechanical working life(mating cycles) | 100 |
| 安装螺母紧固扭矩/Screw torque | M4/0.4 0.7N.m |
| 接线规格/Wiring specifications | 10AWG or 6mm ² |
| 建议剥线长度/Suggested stripping length | 7~8mm (Crimp type) |
| 额定电压/Rated voltage | 1000V DC |
| 额定电流/Rated current | 50A |
| 绝缘电阻/Insulate resistance | ≥5000MΩ (drying) |
| 耐电压/Withstanding voltage | 4250V/min |
| 接触电阻/Contact resistance | ≤0.5mΩ |
| 过电压等级/Overvoltage category | III |
| 污染等级/Pollution degree | 3 |
| 防护等级/Ingress protection | IP67 (Mated) |
| 使用温度范围/Operating temperature(°C) | -40~+125(including temperature rise) |
| 盐雾/Salt spray | 48H |
| 储存温度/Storage temperature(°C) | -40~+85 |
| 阻燃等级/Flame retardant ability | UL94-V0 |
| 符合RoHS环保要求/Conform to RoHS | Yes |
| UL4128认证/UL4128 certification | E530802 |
| TUV认证/TUV certification | 50581738 |
| 满足户外使用/Satisfy outdoor use | Yes |

ESS-50A-06-X-XX-00

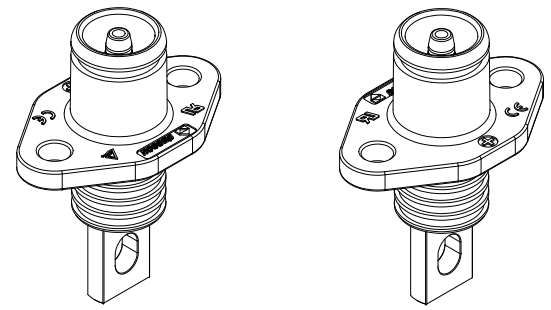
Color: BK:Black 负极
OR:Orange 正极
RD:Red 正极

Contact Termination: B:Busbar
C:Crimp
S:Screw
B/S:Copper Screw



Recommended
Panel Cut-Out

仅Busbar的形式3D展示:



| | | | | | |
|----------------------|-----|--------------------|------------------|----------------|-------|
| | | MATERIAL: | SURFACE/COLOR: | | |
| APPD: 刘剑 2024.01.24 | | MAT NO./REV: | MAT STATUS: | | |
| CHKD: 于进海 2024.01.21 | | NAME | | | |
| DRFT: 张晓瑶 2024.01.17 | | ESS-50A-06-X-XX-00 | | | |
| REV | ECN | DESCRIPTION | DRFT | DATE | |
| 01 | | | | | |
| | | DRAWING NO. | TYPE | DRAWING STATUS | SCALE |
| | | 200269245 | CUSTOMER DRAWING | | 1:1 |
| | | | | SHEET | 1/1 |

Transfer or duplication of this document as well as the utilization or communication of its content are prohibited unless authorized in writing by the copyright holder. All rights reserved for patent. 未经授权，禁止复制或传播本文件内容。保留所有权利。未经许可，不得复制或传播本文件内容。除专利等权利外，其他权利均归作者所有。 0.05/10